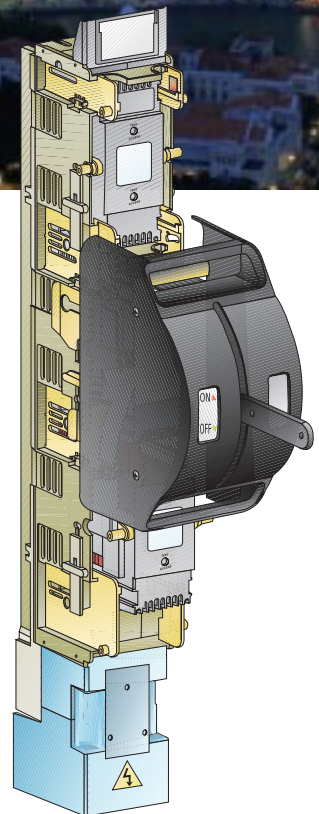
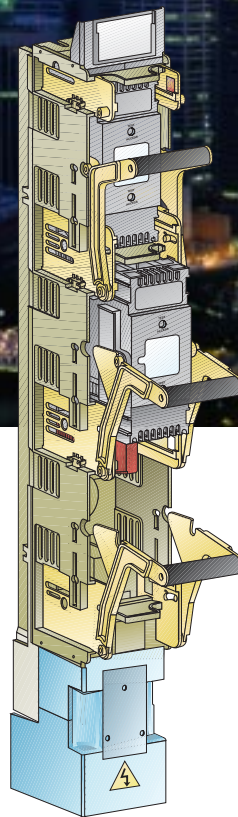
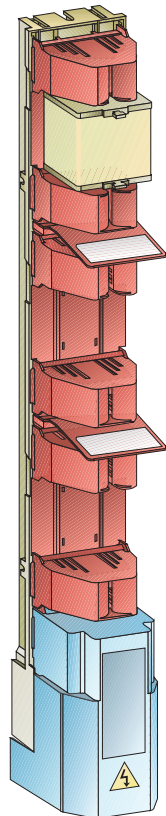


Merlin Gerin Opus range
Low voltage fuse rails and
fuse switches up to 630A





Merlin Gerin Opus

The advanced range of low voltage fuseways offering increased levels of safety, durability and ease of operation

Comprising of Opus, Opus Plus and Opus Excel, the range has been developed by Merlin Gerin, a world leader in design, manufacture, assembly and testing of high quality electrical equipment.

Opus Excel achieves safety levels unmatched in the market place with the use of its fully transferable spring assisted mechanism that allows less experienced operators to fault make, load break switch in a simple operation. In addition, operator protection to IP2X from live conductors is maintained.

Opus is a range of low voltage fuseways for distribution fuseboards, feeder pillar or fuse cabinets, offering varying levels of safety to suit different applications.

Operator protection, upgradeable safety and ease of operation are key benefits associated with the Opus range, providing versatile solutions for utilities and commercial and industrial applications worldwide.

Opus offers significant benefits:

Optimum safety

The Opus range provides IP2X operator protection to IEC 60529.

Safety is enhanced by the ability of Opus Plus and Excel to remotely monitor the 'on' and 'off' status of outgoing circuits, with local fuse blow indication and test probe access on each fuse carrier.

Manufactured to IEC 60439-3 and DIN 43623, Opus Excel has a transferable manual spring assisted switching mechanism that allows less experienced operators to fault make, load break switch.



Flexibility to meet future needs

Supplied as a component, a low voltage assembly or as part of a MV/LV package substation, the Opus range meets the requirements of varying applications. Available as a fully assembled fuseboard, frame, feeder pillar or fuse cabinet, the range offers a choice of manual, single pole or three pole switching and independent manual single pole switching.

Complying to IEC 269-2-1 and accepting manually inserted IEC/DIN blade type fuselinks sizes 2 & 3, the Opus range offers a simple upgrade from any of the fuseway products.

A range of accessories for metering, cabling, testing and maintenance complements the range.



Reliability and durability

Manufactured to ISO 9001 & ISO 14001, the Opus range is of robust construction, flame retardant and resistant to thermal and dynamic stress. Metallic components are protected against the environment for extended performance.

Ease of installation and operation

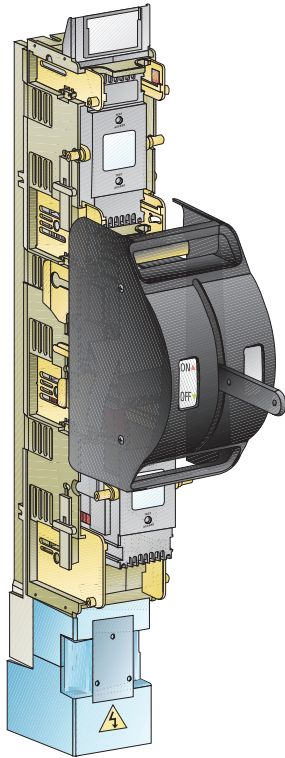
The modular compact design of Opus products enables simple installation, easy operation and minimum maintenance.

Features

- Ratings of 400A and 630A.
- Single pole or three pole switching.
- Phase segregation with arc chutes.
- Fully transferable and portable independent manual switching mechanism for fault make, load break switching.
- Interlocking to fuseway and fuse carriers to ensure correct operation with switching mechanism.
- Current transformers for feeder load monitoring.
- Solid copper outgoing connections accommodate cable lug or mechanical connector up to 300mm².
- Wide range of accessories for cabling, testing and maintenance.

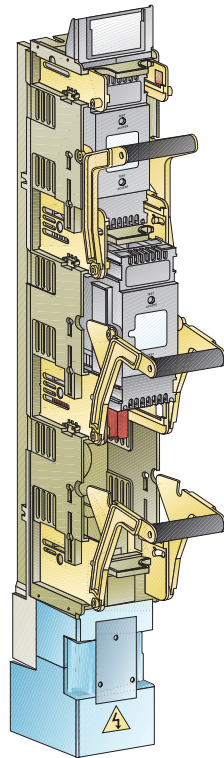


The safe solution for low voltage electrical distribution



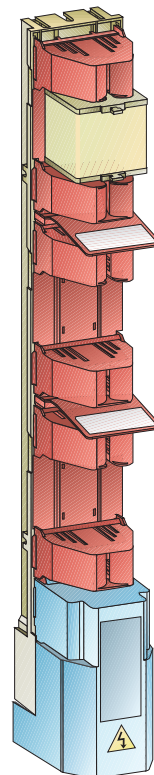
Opus Excel

Operator protection from live conductors during all operating conditions is a key benefit of Opus Excel. Its unique mechanical spring assisted switching mechanism enables safety of the highest levels to be achieved, allowing the insertion and withdrawal of fuse carriers to fault make, load break fuse switch, when engaged with each fuse carrier in turn. Independent of the operators skill, the fully interlocked switching mechanism ensures correct operation of the fusegear and is the only means of switching the fuse carrier to the 'on' or 'off' positions.



Opus Plus

Increased levels of safety are achieved with Opus Plus, using flame retardant materials, combined with fully shrouded fuselinks in carriers that are inserted and withdrawn via levers in a manually switching action. Opus Plus is available as a single or three pole operation and provides arc control and IP2X operator safety in open, closed and transitional positions.



Opus

Opus provides protection from accidental contact with live conductors when fuselinks are not in service. With the reliability of contacts being silver-plated for extended life, Opus is manufactured with solid outgoing cable connections, providing easy access for termination of cables with either a cable lug or a mechanical connector.

Opus can be fully integrated into a number of products and is available in the following combinations:

- Individual fuseways.
- Sub assembly components – busbars, with fuseways and incoming device disconnecter or circuit breaker.
- Low voltage assemblies – fuseboards, feeder pillars or fuse cabinet.
- MV/LV package substations.

Incoming disconnector

Supplementing the Opus range, a fully interlocked disconnecter offering added safety with an operating handle to prevent incorrect operation.

The operating handle may only be removed when: contacts are fully closed and locked closed or fully open and locked open.

Features

- Ratings up to 3200A.
- Rated insulation voltage 660V.
- Short time current withstand 60kA for 1.0 sec.
- Bolted neutral link.
- Integrated current transformers.
- IP2X operator safety protection.
- Interlocked for correct operation.

Accessories

A wide range of accessories are available including padlocking and earthing devices, metering options for incoming and outgoing circuits and additional accessories with internal lamp, 13A RCD socket outlets, test terminal blocks, street lighting circuits and extension trunking/plinths.





Schneider Electric Ltd, Merlin Gerin Low Voltage Public Distribution Products
Cayton Low Road, Eastfield, Scarborough, North Yorkshire, YO11 3DA, U.K.
Tel: 01723 502800 Fax: 01723 502860
Internet address: <http://www.schneider.co.uk>

Publication No: PDP0700WD5000W1159